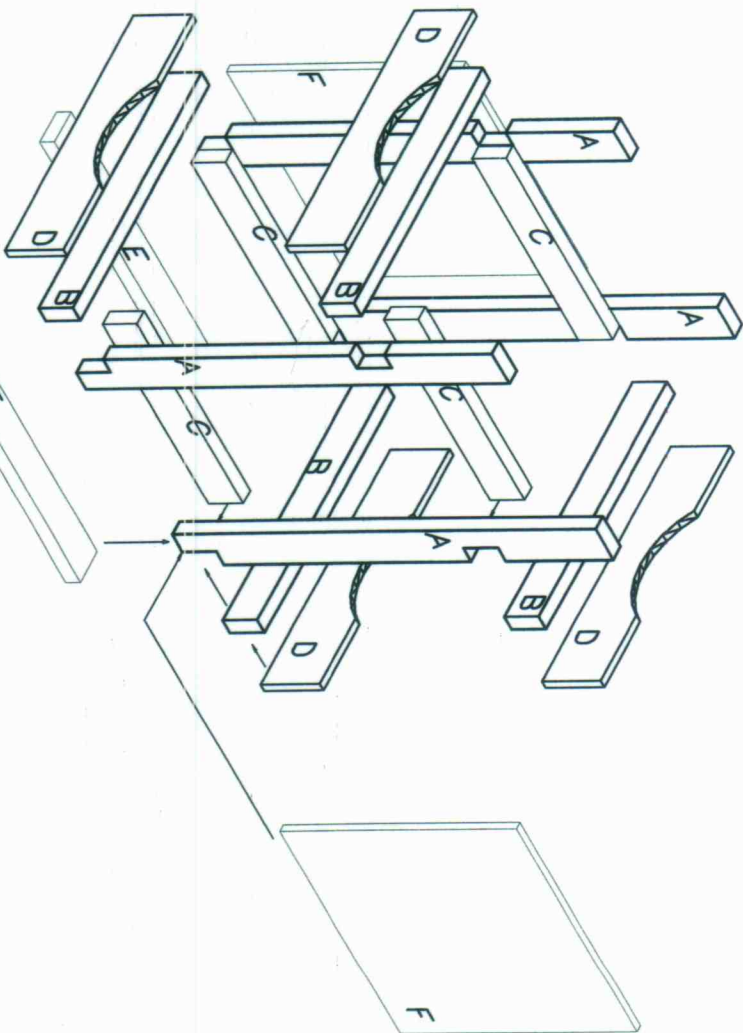
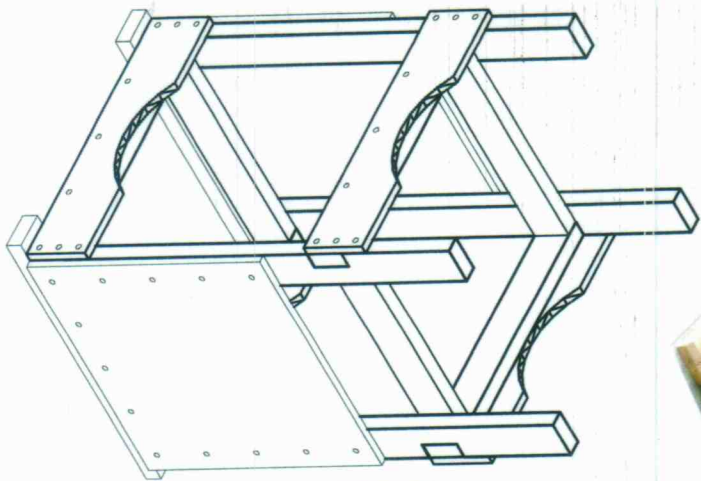


RACK FOR TWO WATER BARRELS

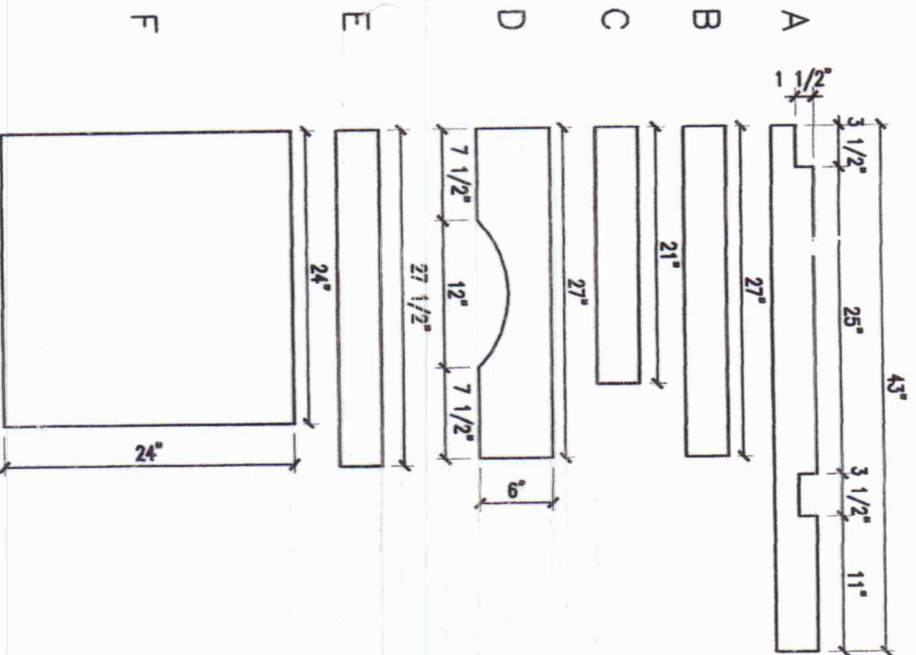


AFTERTHOUGHT: We have learned, by experience, that you can eliminate the boards labeled "C" and replace them with the plywood sides labeled "F". "F" probably should be high enough to reach from the bottom horizontal to the top one. (Your choice)

Also the boards labeled "E" are not essential. They were intended mainly as drags for moving the rack about. Once you get water in the barrels you won't be moving them. If you eliminate the boards "E" you will probably want to raise the notches so the barrels are not so close to the floor.

1. Cut the notches in the upright boards labeled "A".
2. Assemble the B's to the A's.
3. Assemble the D's over the B's. See drawing at left.
4. Now you have the front and the back of the rack.
5. Assemble the front and back using the C's.
6. Add the skids, E, to the bottom
7. Put the F boards in place (A fifty five gallon drum of water weighs about 500 pounds so this rack must be quite sturdy.)
8. Use 2 1/2 inch decking screws.
9. For fastening the 3/4 inch plywood you will want to use shorter screws.

These measurements are intended for 55-gallon drums. (44-gallon in Australia and the UK)



- A = 4 2x4'S
- B = 4 2x4'
- C = 4 2x4'S
- D = 4 3/4" PLYWOOD
- E = 2 2x4'S
- F = 2 3/4" PLYWOOD

For each barrel you will need one 3/4" hose bib (faucet)

1. To install the hose bib first install the bung. Do not use any Teflon tape or pipe-joint compound. There is a rubber gasket that makes it waterproof. You'll need a bung wrench for this. If you don't have one, they are available on the internet. (Try Emergency Essentials)
2. You must first poke out the center of the bung. It must be a bung with inside threads to accommodate the hose bib.
3. The hose bib should be installed with Teflon tape. Tighten it until the spigot will be pointing downward.
4. It is desirable to have the lower barrel fitted with a hose bib that is obtuse. This helps to keep the hose from kinking when draining. The upper one can be either a right angle or obtuse.
5. Hint: General conference time is a good time to empty and refill. You can remember it because conference time is a time of *refreshing*.